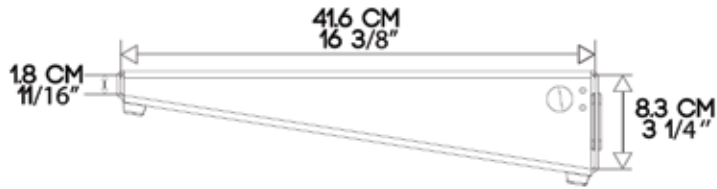




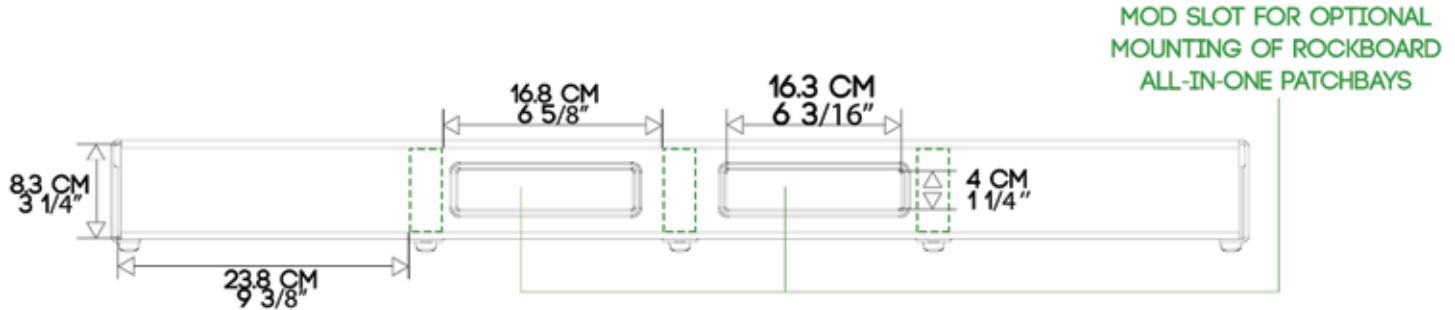
CINQUE 5.4

POWER SUPPLY PLACEMENT
MAXIMUM SPACE UNDERNEATH THE BOARD

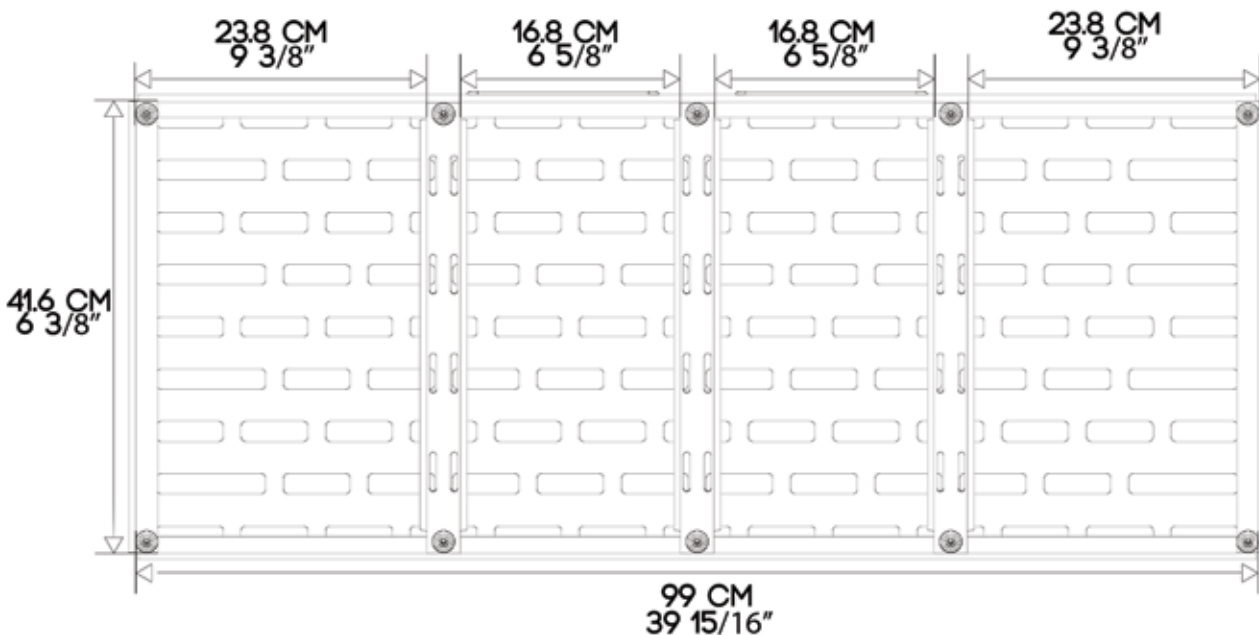
SIDE VIEW



FRONT VIEW



UNDERSIDE VIEW

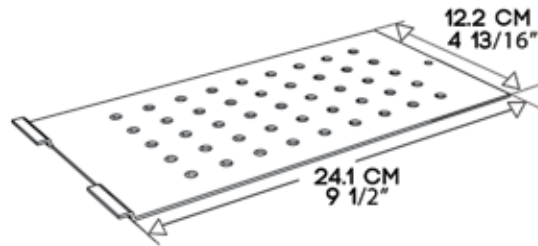




CINQUE 5.4

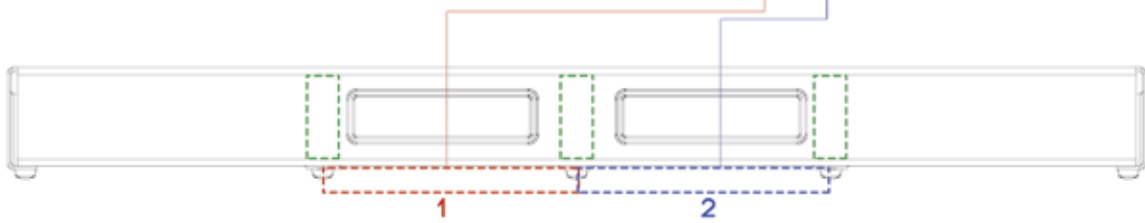
POSSIBLE MOUNTING SOLUTIONS FOR THE TRAY -
UNIVERSAL POWER SUPPLY MOUNTING SOLUTION

THE TRAY



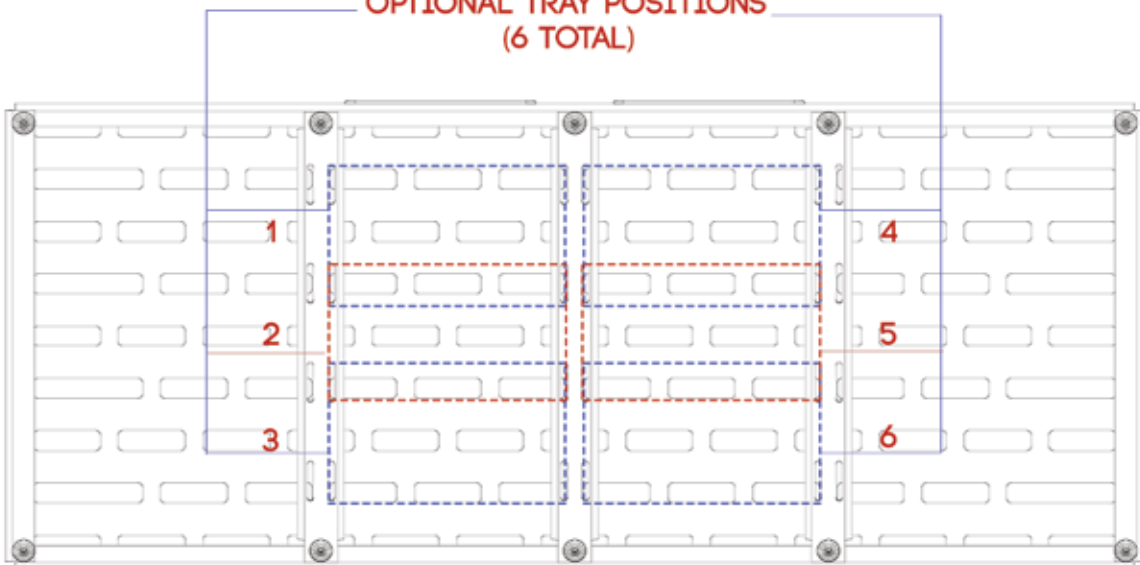
FRONT VIEW

OPTIONAL TRAY POSITIONS



UNDERSIDE VIEW

OPTIONAL TRAY POSITIONS (6 TOTAL)

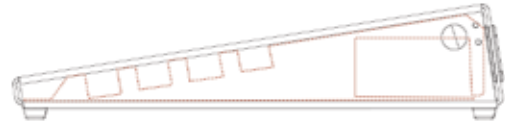
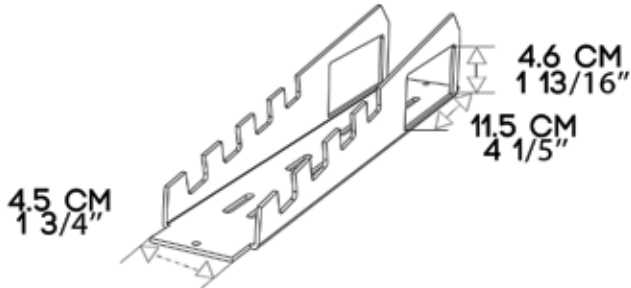


CINQUE 5.4

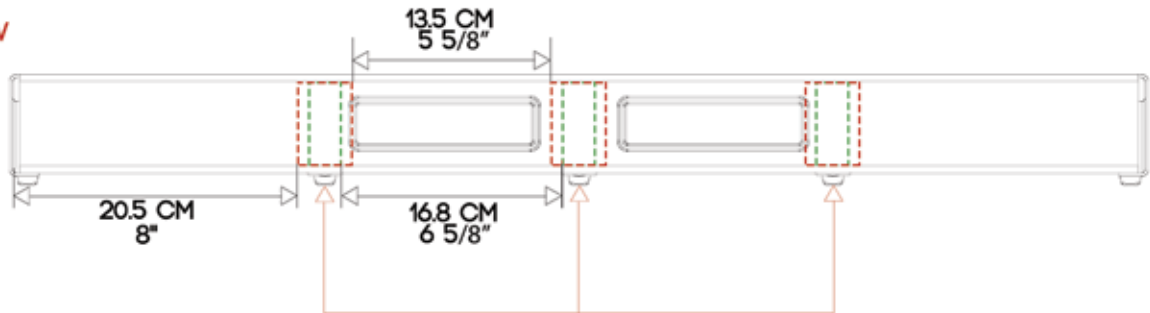
POSSIBLE POSITIONING FOR FRAME XL

FRAME XL

SIDE VIEW



FRONT VIEW



POSSIBLE POSITION FOR
FRAME XL - MOUNTING
SOLUTIONS FOR XL POWER
SUPPLIES

UNDERSIDE VIEW

