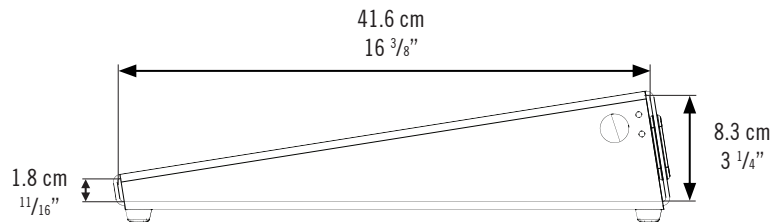




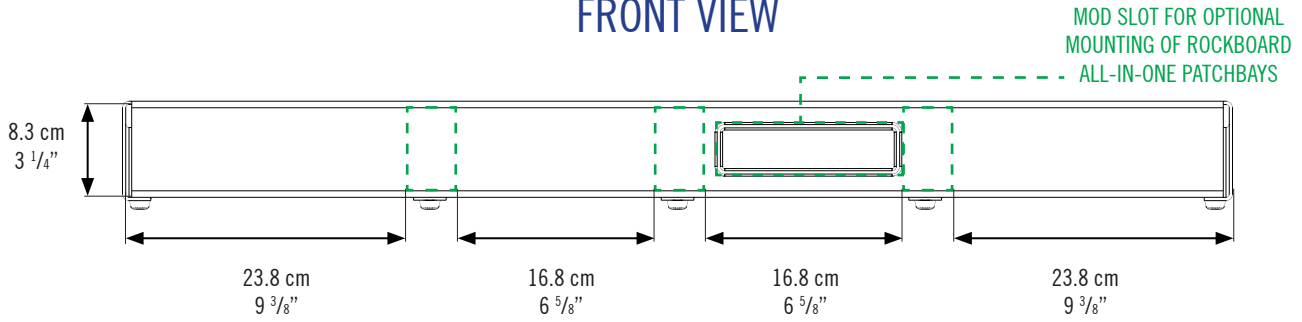
# CINQUE 5.4

POWER SUPPLY PLACEMENT - MAXIMUM SPACE UNDERNEATH THE BOARD

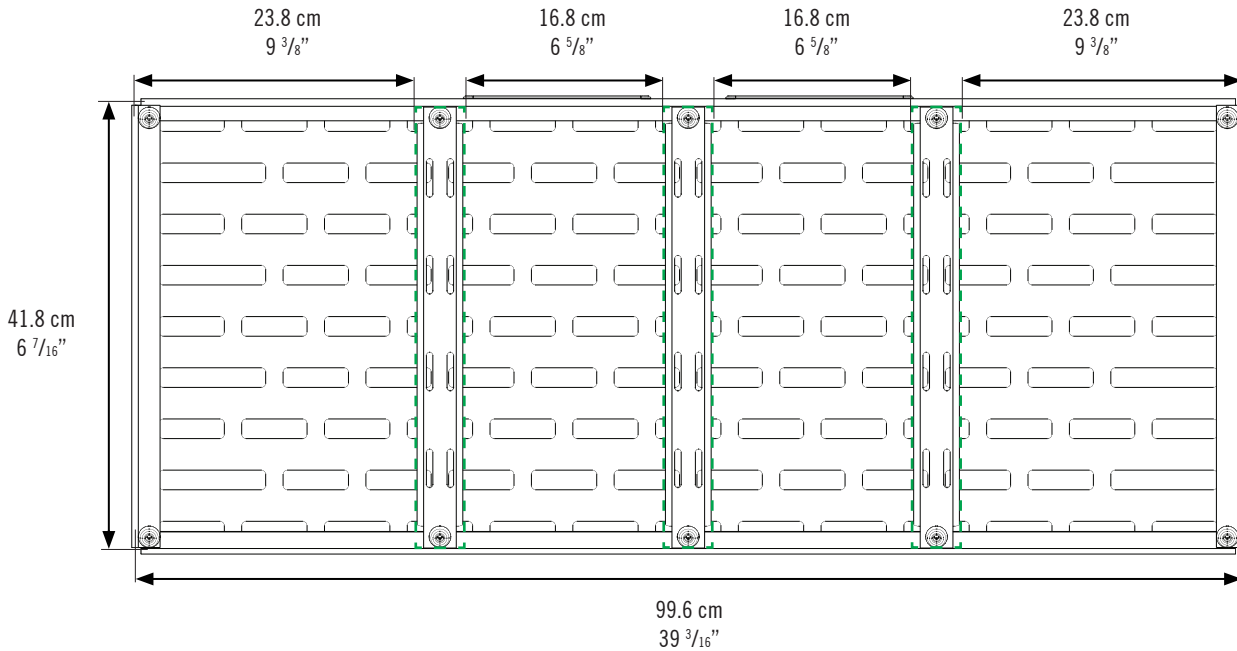
## SIDE VIEW



## FRONT VIEW



## UNDERNEATH VIEW

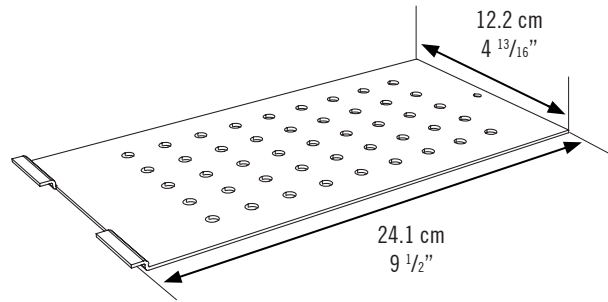




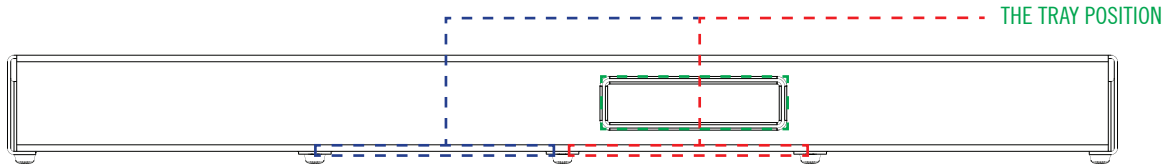
# CINQUE 5.4

POWER SUPPLY PLACEMENT - MAXIMUM SPACE UNDERNEATH THE BOARD

## THE TRAY

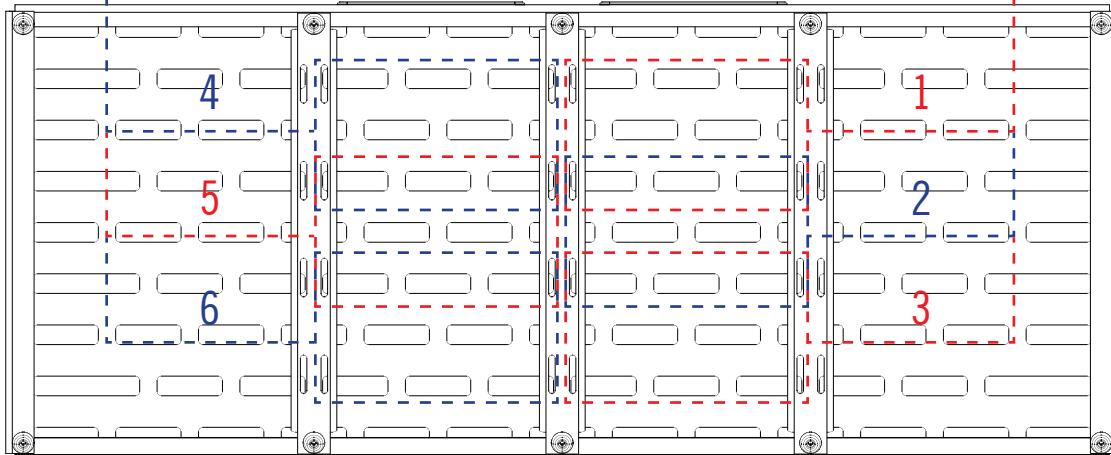


## FRONT VIEW



## UNDERNEATH VIEW

OPTIONAL TRAY POSITIONS (6 TOTAL)

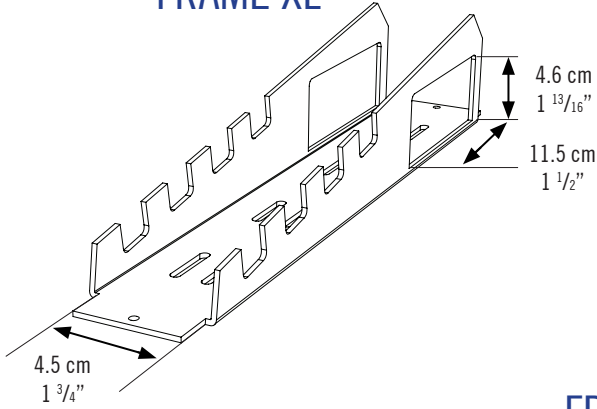




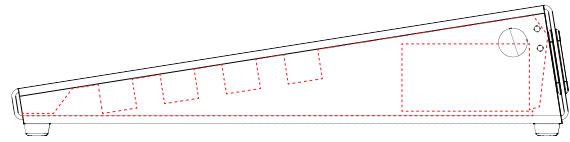
# CINQUE 5.4

POSSIBLE POSITION FOR FRAME XL

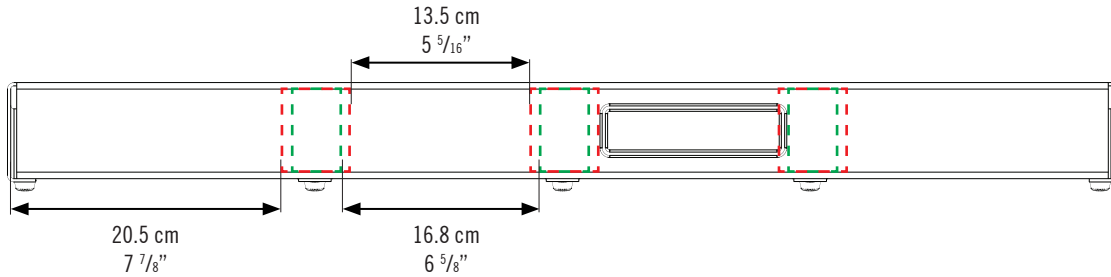
FRAME XL



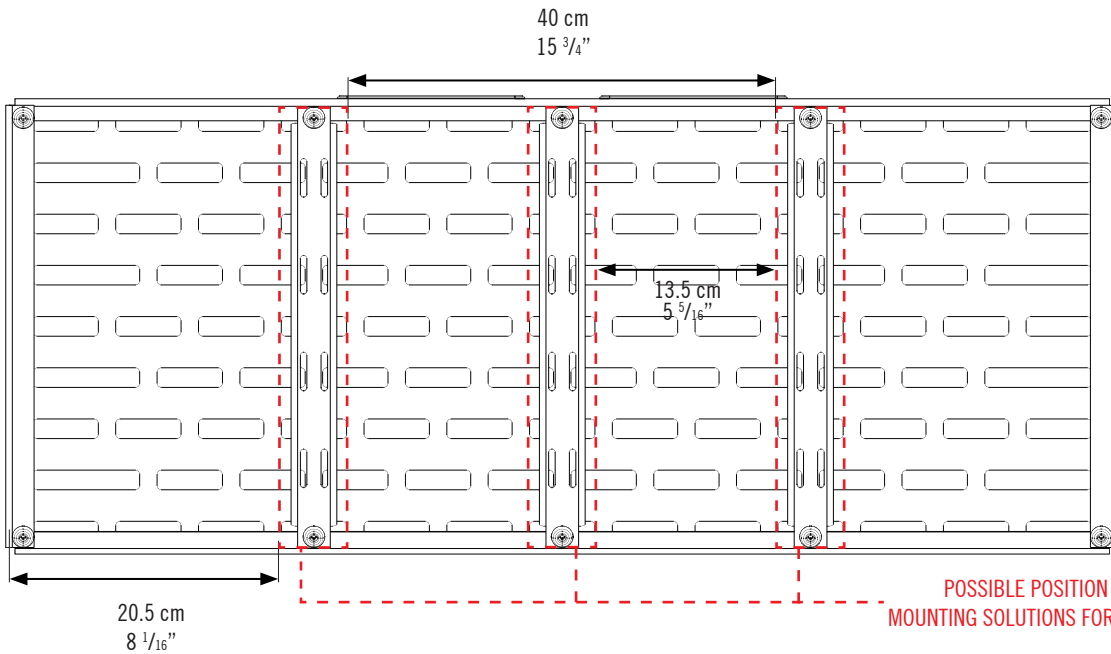
SIDE VIEW



FRONT VIEW



UNDERNEATH VIEW



POSSIBLE POSITION FOR FRAME XL  
MOUNTING SOLUTIONS FOR XL POWER SUPPLIES